



Fixed Storage Solutions
Catalog Price List 430.01
Effective July, 2017

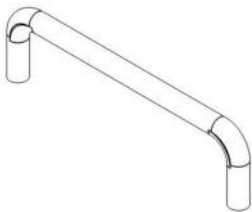

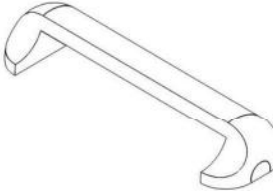
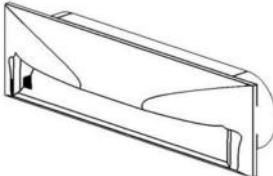
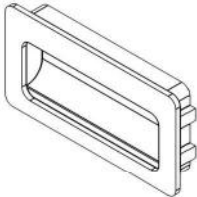
Institutional Casework

Designed to be both durable and attractive, our casework is constructed using the highest quality of industrial grade substrates and offer multiple surface options to meet your needs.

	431 Series	432 Series	433 Series	434 Series
Cabinet cases are constructed using 3/4" thick panels banded with your choice of available edging including HPL self edge or available PVC edge banding options.	X	X	X	X
All cabinet case components , doors and drawer fronts are surfaced on both sides with the same selection of LPL.	X			
All cabinet case components are surfaced on both sides with the same selection of LPL. Doors and drawer fronts are surfaced with HPL.		X		
Cabinet case interiors and exteriors are surfaced with your choice of HPL surfaces allowing for different finishes options on the cabinet exterior for maximum flexibility			X	
All cabinet case components , doors and drawer fronts are surfaced on both sides with the same selection of HPL.				X
Separate finishes selections are available for doors and drawer fronts.		X	X	X
Laminated doors and drawer fronts with HPL self edge or PVC edgebanding.	X	X	X	X
Additional door & drawer front options including thermoformed, post -formed, glass & aluminum framed doors		X	X	X
Integrated drawer system with white epoxy powder coated drawer sides.	X	X	X	X
Separate plinth base(s) available for ease of installation in multiple cabinet configurations. Attached plywood base optional.	X	X	X	X
Door hardware options including: <ul style="list-style-type: none"> • C - Concealed Hinges - Standard 120 degree concealed hinge • K - Five knuckle Hinge - Optional Five knuckle hinge offering 270 degree in Satin Chrome and Matte Black 	X	X	X	X
Multiple decorative hardware options	X	X	X	X

Decorative Hardware

Each cabinet series includes several decorative hardware options including:

Concealed Hinge	Five Knuckle Hinge	Description	
CCS01*	KCS01	4" Satin Chrome Wire Pull	
CBM01	KBM01	4" Matte Black Wire Pull	
CCS02	KCS02	5" Stainless Steel Arch Pull	
CBM02	KBM02	5" Black Matte Arch Pull	
CBN03	KBN03	96 mm Black Nylon Pull	
CWN03	KWN03	96 mm White Nylon Pull	
CBP04	KBP04	4" Black Plastic Recessed Pull	
CGP04	KGP04	4" Light Gray Plastic Recessed Pull	
CBB05	KBB05	Black Plastic Recessed Pull	
CCN05	KCN05	Satin Nickel Recessed Pull	

* Standard Decorative Hardware

Institutional Countertops & Work surfaces

Designed to be both durable and attractive, our countertops and work surfaces are constructed using the highest quality of industrial grade substrates and offer multiple surface options to meet your needs.

450 Series High Pressure Laminated Tops

- Available in standard 1" thick 48# CARB 2 certified industrial grade particleboard.
- Underside of countertops and work surfaces surfaced with balanced backing sheet
- Optional substrates include :
 - ◊ 1-1/8" thick 48# CARB 2 certified industrial grade particleboard.
 - ◊ Moisture resistant 1-1/8 substrate
 - ◊ FSC Mix credit certified substrates
 - ◊ Ultra low emitting - no added formaldehyde
- 1" substrate tops provided with 4" x 1" loose backsplash with optional end splashes
- 1 1/8" substrate tops provided with 4" x 3/4" loose backsplash with optional end splashes
- Full selection of available high pressure laminates including standard and chemical resistant surfaces
- Front edge finished with optional edge treatments
 - ◊ 450-1 3mm PVC banded Tops
 - ◊ 450-2 Self - Edge HPL
 - ◊ 450-3 90 Degree Waterfall edge w/ 3mm PVC Finished Ends
 - ◊ 450-4 180 Degree Bullnose edge w/ 3mm PVC Finished Ends